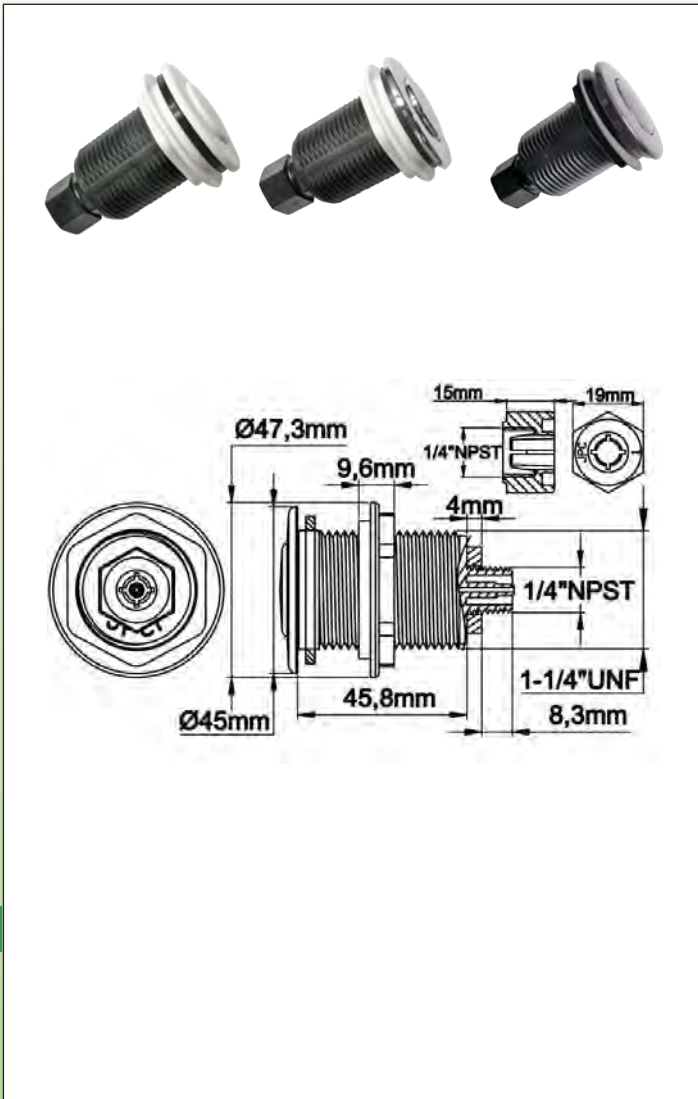


Air buttons (air transmitters) TYPE: 66ZM5

DIMENSIONS



Use: Remote operation of air switches. This pneumatic switching technology safely isolates the user from the electrical current. The air transmitters provide the pulse air pressure needed to operate a remote air switch

Typical applications: Spas , swimming pools, electrical equipment remote operating of electrical devices on/off including motors, lights, pumps, air blowers, or other associated equipment.

Operating distance: With appropriate tubing, these hand actuation transmitters can operate air switches from distances of up to 30 meters (100 feet.)

Air volume: 11 cm³

Button and bezels: ABS, Ozone and UV resistant, low profile dome design, interchangeable.

Standard Color: Black, White (Bone) and nickel plated. Any other color and finish can be made with MOQ (consult factory).

Mounting: Through tub wall, with 1"1/4-12 UNF nut and flat NBR gasket.

Mounting hole: Drill a dia. 32+1/-0 mm (1"1/4) hole. The 1"1/4 nut is staggered to allow using this button for replacement into preexisting dia. 37.3+/-1 mm holes.

Wall thickness: From 2 mm to 45 mm (1/16" to 1-5/8").

Cylinder material: ABS; ozone and UV resistant.

Gasket: NBR.

Nut: ABS.

Bellow: EPDM, impervious to ozone and chemically treated swimming pool and spa water. No micro leak to avoid pumping action with air switches. Stainless steel spring.

Tube connection: Spout for 3 mm or 1.7 mm (1/8" or 1/16" I.D) flexible PVC or rubber tubing. We recommend tube securing nut to avoid accidental tubing disconnection.

Mechanical life: > 100.000 cycles.

Ambient temperature: -20+85°C

Spare parts: Cylinder assembly, button and bezel kit are available separately.

Options: Custom buttons with logo.

References

| Model | Black (RAL9005) | Nicked plated | White (RAL9003) |
|---------------------------|------------------|------------------|------------------|
| With tube securing nut | 66ZM500060510000 | 66ZM500060710000 | 66ZM500060410000 |
| Without tube securing nut | 66ZM500060500000 | 66ZM500060700000 | 66ZM500060400000 |